

**High resistant
plastic coupling**

Material: PVDF

KL-012



WALTHER PVDF plastic coupling

Description:

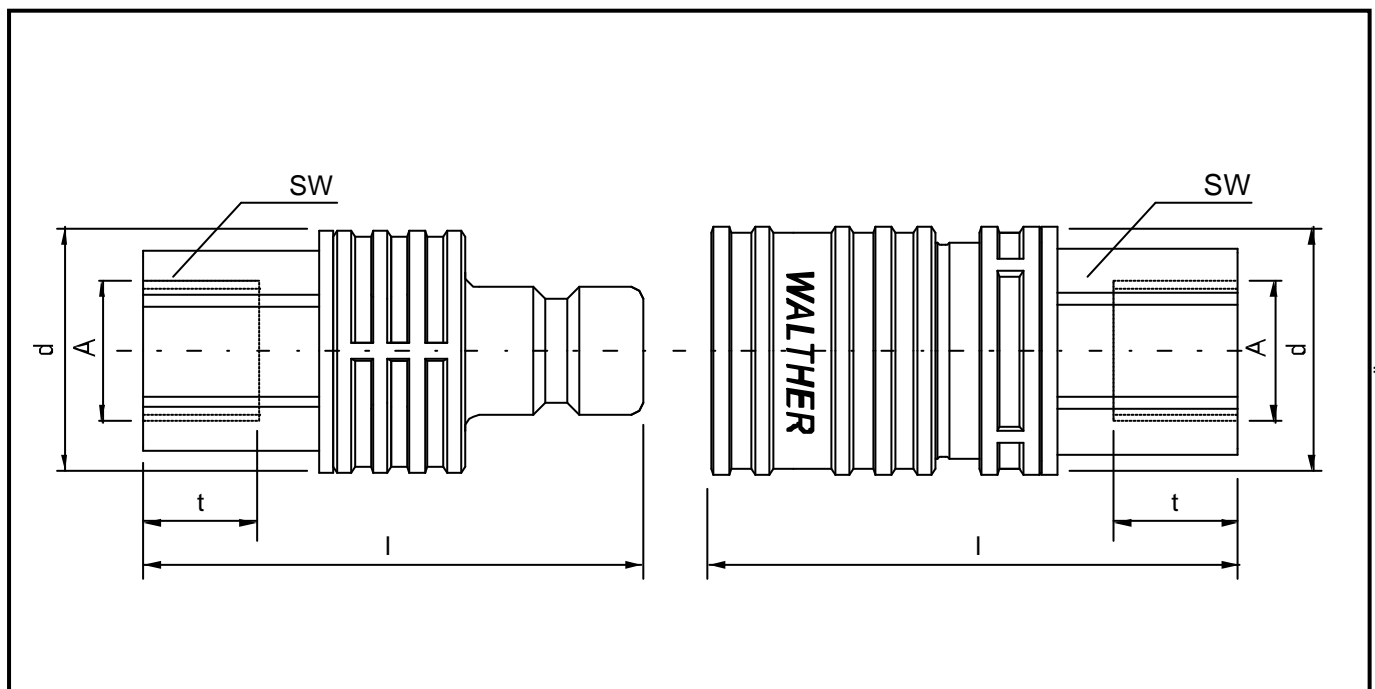
The KL-012 series made of PVDF (PolyVinylideneFluoride) is mainly designed for the chemical industry, when customary materials are not sufficient against highly aggressive media.

The KL-012 can be coupled with the LP-012 series.

Design:

Seals:	FPM and EPDM; optional Chemraz 505
Locking balls:	glass
Springs:	stainless steel 1.4571 (AISI316Ti); optional Hastelloy C
Max. static working pressure at 20°C (68°F):	10 bar (145 psi)
Cv value:	(both sides self-sealing): 2,5
Coupling force (unpressurized):	appr. 210 N

Order no	end connection	d	SW	l	t	n	weight g
KL-012-0-WR521-PV-.-Z11	female thread G 1/2"	40	27	81	17	-	85
KL-012-0-WR526-PV-.-Z11	female thread G 3/4"	40	32	83	19	-	90
KL-012-2-WR521-PV-.	female thread G 1/2"	40	27	79	17	29,5	55
KL-012-2-WR526-PV-.	female thread G 3/4"	40	32	81	19	29,5	60



WALTHER-PRÄZISION • WKA 10.05/2004 • s10lectto.alle.0103

Carl Kurt Walther GmbH & Co. KG

Westfalenstr. 2	D-42781 Haan
PO box: 420444	D-42404 Haan
Tel. + 49(0) 21 29 / 5 6 7 - 0	E-Mail: info@walther-praezision.de
Fax + 49(0) 21 29 / 5 6 7 - 4 5 0	Internet: www.walther-praezision.de

