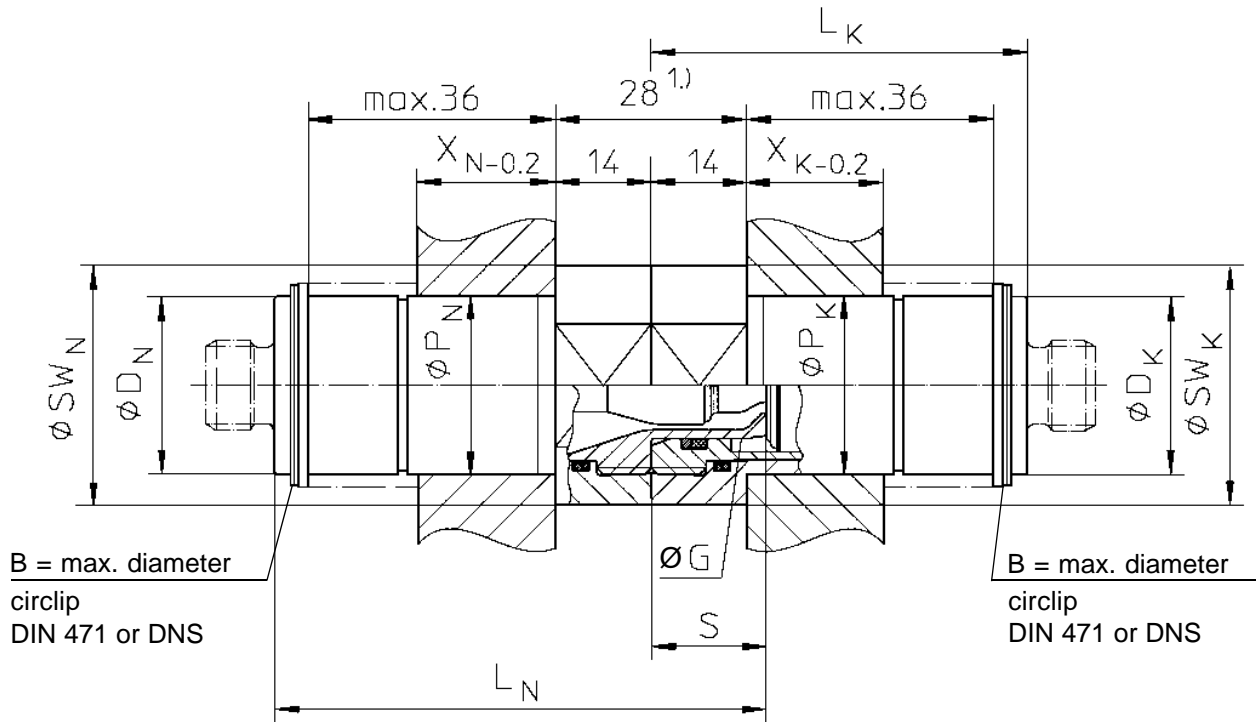




Clean - Break Elements
Series CD
 for plate mounting up to 36 mm thickness

WWN
137.01.04



1.) The plate distance in the mated position is 28mm. This is to prefer. A maximum tolerance of the plate distance of + 2mm up to 30mm is permitted without influence of the C_V value of the elements.

Standardized plate thicknesses X_K X_N : 20 and 36mm, other dimensions upon request.

	floating position of	coupling	adaptor
bores in the plates	P_K	$D_K + 0,5$	D_K^*
	P_N	D_N^*	$D_N + 0,5$
the floating side may not be piped rigidly !			

Connecting and disconnecting without pressure

Nominal size	Coupling					Adaptor							Plate X_N 20 / 36	Pressure P [bar] connected, disconnected	
	D_K	P_{K^*} (H11)	SW_K	ϕ	L_K	D_N	P_{N^*} (H11)	SW_N	ϕ	S	G	L_N	B	Steel	Brass St. Steel
6	26	26	30	35	55	26	26	30	35	16,8	15,5	71,8	35,5	250	125
10	36	36	36	39,9	63,5	36	36	36	39,9	24	21,6	87,5	47,8	250	125
16	55	55	55	62	76	55	55	55	62	27	34,5	103	70,2	250	125
20	60	60	60	70	80	60	60	60	70	30,5	36	110,5	75,6	250	125
25	60	60	60	70	80	60	60	60	70	30,5	44	110,5	75,6	16	16
32	80	80	65	95	107	80	80	65	95	40	56	147	98,1	16	16
40	92	92	100	112	112,5	92	92	100	112	50	66,6	162,5	110	16	16
50	105	105	110	123,3	136	105	105	110	123,3	60	82,8	196	125,8	16	16
80	155	155	170	178	165	155	155	170	178	60	127,2	225	182,3	16	16

max operating pressure, pressure independent from connections.

Rev.: FH
 Edition: Aug. 10.2004



Clean - Break Elements
Series CD
 for plate mounting up to 36 mm thickness

WWN
137.01.04

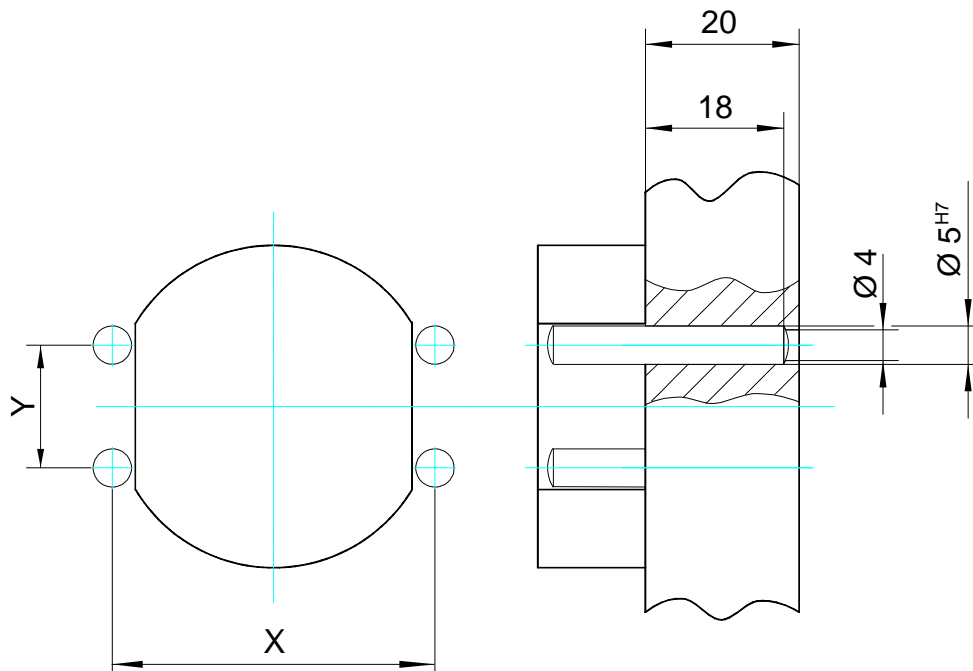
K_F = Connecting force without operating pressure but in respect of seal quality.

V_{Leck} = Spillage of media when disconnecting

Type	K_F [N]		C_v - value		V_{Leck} [cm ³]
	FPM	EPDM			
CD - 006	106	135	VK → VN	1,08	0,079
			VN → VK	1,13	
CD - 010	190	250	VK → VN	4,10	0,221
			VN → VK	4,00	
CD - 016	415	510	VK → VN	6,49	0,315
			VN → VK	6,76	
CD - 020	290	390	VK → VN	16,53	0,355
			VN → VK	18,50	
CD - 025	245	365	VK → VN	18,10	0,450
			VN → VK	17,64	
CD - 032	480	630	VK → VN	27,75	0,618
			VN → VK	26,81	
CD - 040	650	900	VK → VN	58,90	0,978
			VN → VK	55,30	
CD - 050	790	1100	VK → VN	72,22	1,520
			VN → VK	78,60	
CD - 080	1375	2080	VK → VN	150,75	3,682
			VN → VK	143,89	

Fixing of elements with pins even in the floating position possible, to avoid turning of the element caused by twisting of hose.

Type	gage X $\pm 0,05$	gage Y $\pm 0,05$	bore	4 x cylinder pin for fixing
CD - 006	36	14	$\varnothing 5^{H7}$	DIN EN ISO 2338 - 5m6 x 30 - St
CD - 010	42	16	$\varnothing 5^{H7}$	DIN EN ISO 2338 - 5m6 x 30 - St
CD - 016	61	22	$\varnothing 5^{H7}$	DIN EN ISO 2338 - 5m6 x 30 - St
CD - 020	66	26	$\varnothing 5^{H7}$	DIN EN ISO 2338 - 5m6 x 30 - St
CD - 025	66	26	$\varnothing 5^{H7}$	DIN EN ISO 2338 - 5m6 x 30 - St
CD - 032	91	34	$\varnothing 5^{H7}$	DIN EN ISO 2338 - 5m6 x 30 - St
CD - 040	106	38	$\varnothing 5^{H7}$	DIN EN ISO 2338 - 5m6 x 30 - St
CD - 050	116	46	$\varnothing 5^{H7}$	DIN EN ISO 2338 - 5m6 x 30 - St
CD - 080	176	46	$\varnothing 5^{H7}$	DIN EN ISO 2338 - 5m6 x 30 - St



Length of pins varies according to thicknesses of plate and collar of element.