

**Clean break
couplings**

Series CN



Clean break couplings series CN

Description:

The squirt free clean break couplings of the CN series are mainly used in loading stations of trucks or trains for chemical liquids. Other uses are possible as well for example liquid food processing etc.

A big advantage is the ability to connect and disconnect long hose lines which are under pressure (up to 5 bar) without squirting medium.

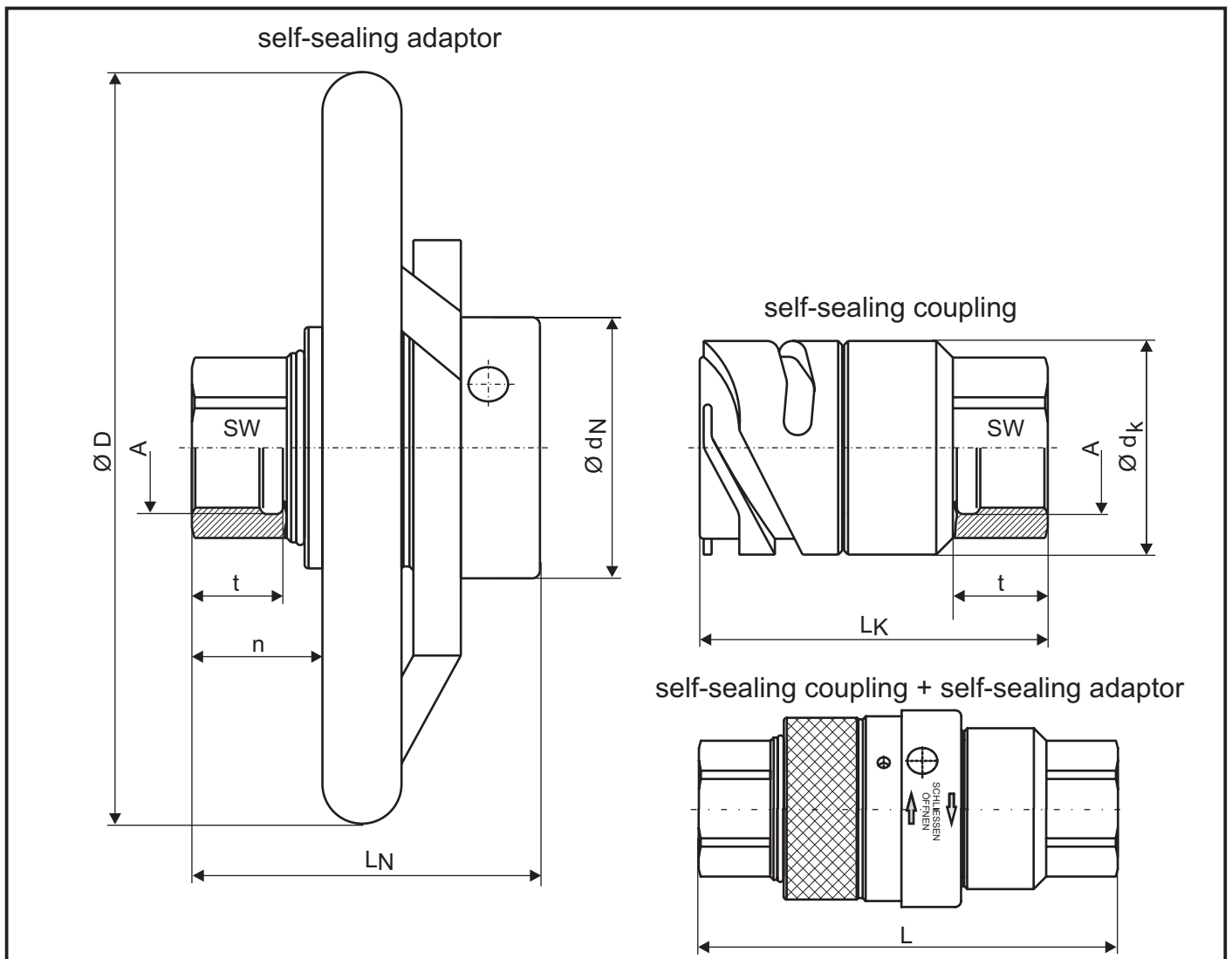
In case of limited space the type CN-025 can also be offered without the handwheel. This type produces only very small connection forces. A hook spanner can be used as well.

Features:

- Clean break coupling with bayonet cam action
- Squirt free operation
- Connects under residual pressures
- Small outer dimensions
- Very good flow rates

Technical values:

- Materials: stainless steel 1.4571, other materials on request
- Seals: standard elastomers
- Working temperature: -10°C (14°F) up to $+150^{\circ}\text{C}$ (300°F) depending on seal quality



Clean break couplings series CN

Self sealing coupling	Part number	L	LK	dK	t	A	AF	LN	dN	D	n
	1-CN-025-0-WS533-....*	126,3	79	54	14	G1	41	-	-	-	-
	1-CN-050-0-WS560-....*	205	124	94	20	G2	70	-	-	-	-
	1-CN-080-0-WS588-....*	231	143	124	24	G3	100	-	-	-	-
	1-CN-100-0-WS613-....*	260	164	144	25	G4	120	-	-	-	-
Self sealing adaptor	1-CN-025-2-WS533-....GG*	126,3	-	-	14	G1	41	83	66	190	33
	1-CN-025-2-WS533-....* (without GG)	126,3	-	-	14	G1	41	83	66	-	33
	1-CN-050-2-WS560-....GG*	205	-	-	20	G2	70	133	110	220	37
	1-CN-080-2-WS588-....RG*	231	-	-	24	G3	100	148	144	265	73
	1-CN-100-2-WS613-....RG*	260	-	-	25	G4	120	165	164	300	73

* Code for seal qualities on request

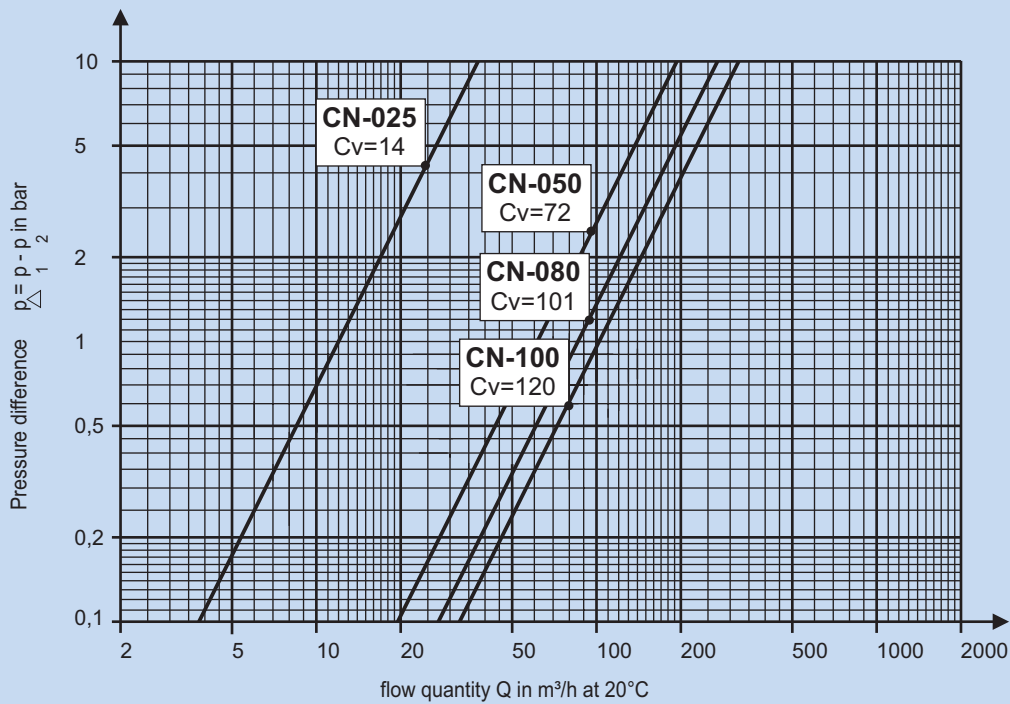
type	working pressure max. stat. [bar]			connectable under max. pressure difference of	Cv-value	volume loss per disconnection	weight[kg]	
	connected coupling/adaptor	connected coupling	connected adaptor				coupling	adaptor
CN-025	25	25	25	5	14	0,4 ml	0,74	0,88 without GG 1,47 with GG
CN-050	25	25	25	3	72	0,6 ml	2,57	4,41
CN-080	16	16	16	2	101	1,3 ml	5,97	7,32
CN-100	10	5	5	1	120	2,3 ml	7,96	9,68



WALTER clean break couplings series CN;
Nominal bores: 25, 50, 80 and 100 mm (shown with protection plugs)

Clean break couplings series CN

Performance diagram for CN-025, CN-050, CN-080 und CN-100 both sides sealing



WALTHER-PRÄZISION • WIKa rev. 04/2007 - subject to alterations

More clean break couplings of WALTHER-PRÄZISION in chemical applications:



WALTHER- clean-break couplings series BF (nom. bore: 5, 9, 12, 25 und 50 mm)

WALTHER-PRÄZISION Carl Kurt Walther GmbH & Co. KG

Head office:
Westfalenstraße 2
42781 Haan, Germany
Telefon: +49 (0) 21 29 567-0
Telefax: +49 (0) 21 29 567-450

Postal address:
Postfach 420444
42404 Haan, Germany
eMail: info@walther-praezision.de
Internet: www.walther-praezision.de

