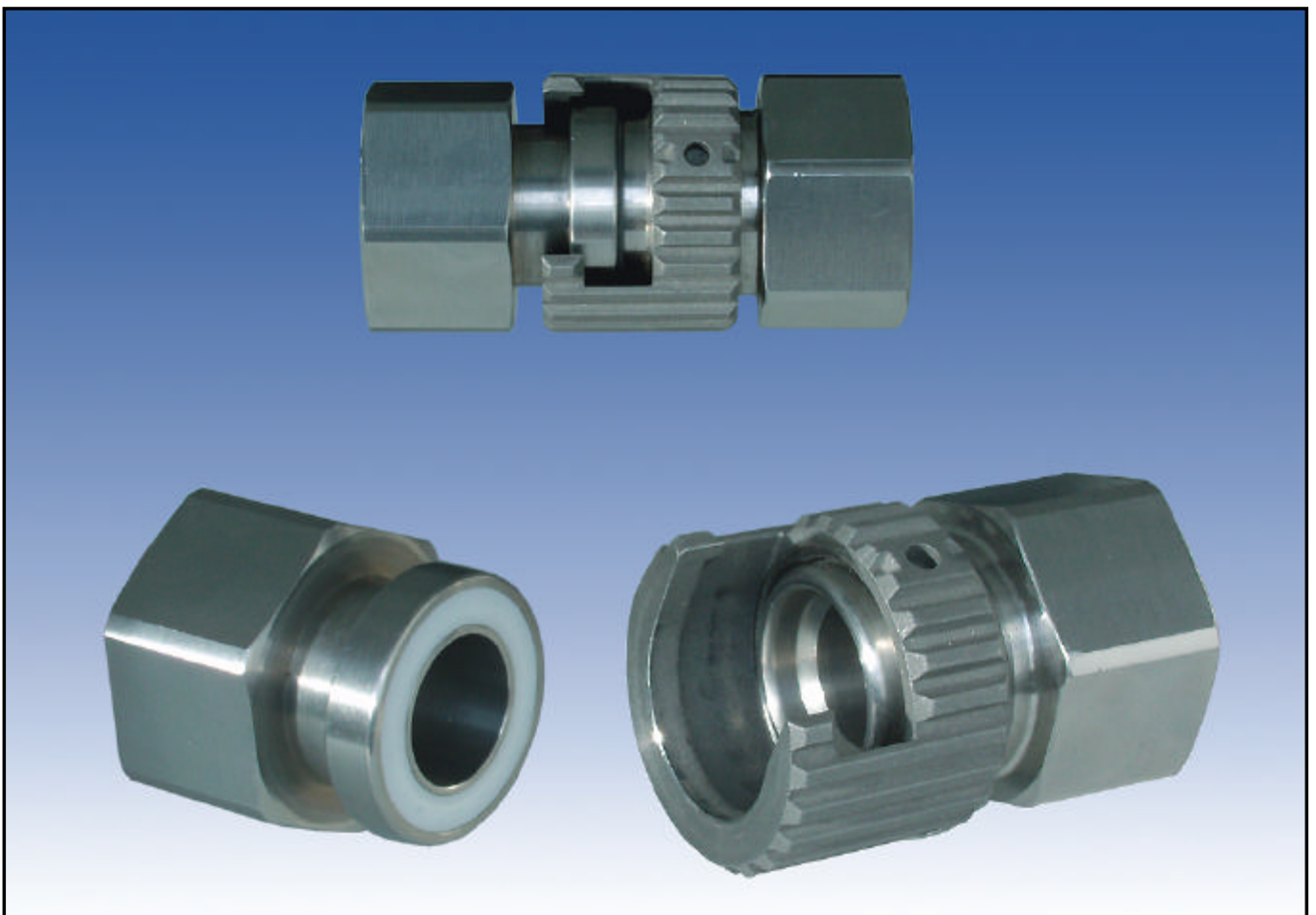
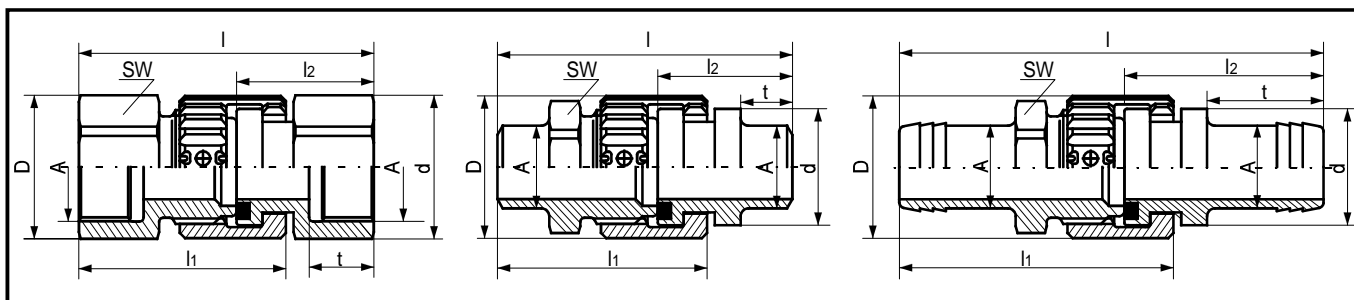


**Hook-in couplings
for gas, liquid, paste
and powder media**

SERIE EH



WALTHER Hook-in couplings series EH



Description:

The thru-type adaptor with its face seal is hooked into the slit of the coupling nut. Through tightening of the nut the seal is pressed against the front of the coupling housing. The nut has ribs as well as bores for "c" spanners on the external extent to facilitate the screwing. A leakage due to wear of the seal can be eliminated by further tightening of the nut.

SIZE 1"	part number	connection A	D	d	SW	l ₁	l ₂	t	l*
p max. (static) 725 psi									
Hook-in coupling	1-EH-025-4-WR542	BSP female thread G 1 1/4"	56		50	77		25	114
	1-EH-025-4-XX001	welding end od 30 mm, id 24,8 mm	55		46	78		20	114
	1-EH-025-4-SL032	32 mm hose tailpiece	55		46	103		45	164
Hook-in adaptor	2-EH-025-1-WR542	BSP female thread G 1 1/4"		56	50		53	25	114
	2-EH-025-1-XX001	welding end od 30 mm, id 24,8 mm		45			52	20	114
	2-EH-025-1-SL032	32 mm hose tailpiece		45			77	45	164
Double Adaptor	5-AN-00-WR042-WR042	BSP male thread G1 1/4"-G 1 1/4"							

suitable "c" spanner = B52-55 DIN 1810

SIZE 2"	part number	connection A	D	d	SW	l ₁	l ₂	t	l*
p max. (static) 435 psi									
Hook-in coupling	1-EH-050-4-WR575	BSP female thread G 2 1/2"	95		85	85		33	130
	1-EH-050-4-XX001	welding end od 57 mm, id 51,2 mm	82		70	113		45	171
	1-EH-050-4-SL060	60 mm hose tailpiece	82		70	123		55	191
Hook-in adaptor	2-EH-050-1-WR575	BSP female thread G 2 1/2"		95	85		60	33	130
	2-EH-050-1-XX001	welding end od 57 mm, id 51,2 mm		70			76	45	171
	2-EH-050-1-SL060	32 mm hose tailpiece		70			86	55	191
Double Adaptor	5-AN-00-WR075-WR075	BSP male thread G2 1/2"-G 2 1/2"							

suitable "c" spanner = B80-90 DIN 1810

SIZE 3"	part number	connection A	D	d	SW	l ₁	l ₂	t	l*
p max. (static) 230 psi									
Hook-in coupling	1-EH-080-4-WR613	BSP female thread G 4"	135		120	111		43	165
	1-EH-080-4-XX005	welding end od 88,9 mm, id 82,5 mm	121		115	99		20	131
Hook-in adaptor	2-EH-080-1-WR613	BSP female thread G 4"		135	120		73	43	165
	1-EH-080-1-XX005	welding end od 88,9 mm, id 82,5 mm		105			51	20	131
Double Adaptor	5-AN-00-WR113-WR113	BSP male thread G 4"-G 4"							

suitable "c" spanner = B120-130 DIN 1810

*Total length in coupled position with similar end connections on both sides.
Further sizes on request.

Materials:

Coupling nut: stainless steel AISI 316 ti

Coupling housing and adaptor: stainless steel AISI 316 ti, or: stainless steel AISI 304 ti

Seals: PTFE

Carl Kurt Walther GmbH & Co. KG

Westfalenstraße 2

Postfach 420444

Tel. +49 21 29 / 5 67-0

Fax +49 21 29 / 5 67-450

D-42781 Haan

D-42404 Haan

E-Mail: info@walther-praezision.de

Internet: www.walther-praezision.de



WALTHER-PRÄZISION - Wka rev. 04/2003 - subjekt to alterations