



**Clean break
Quick Couplings**

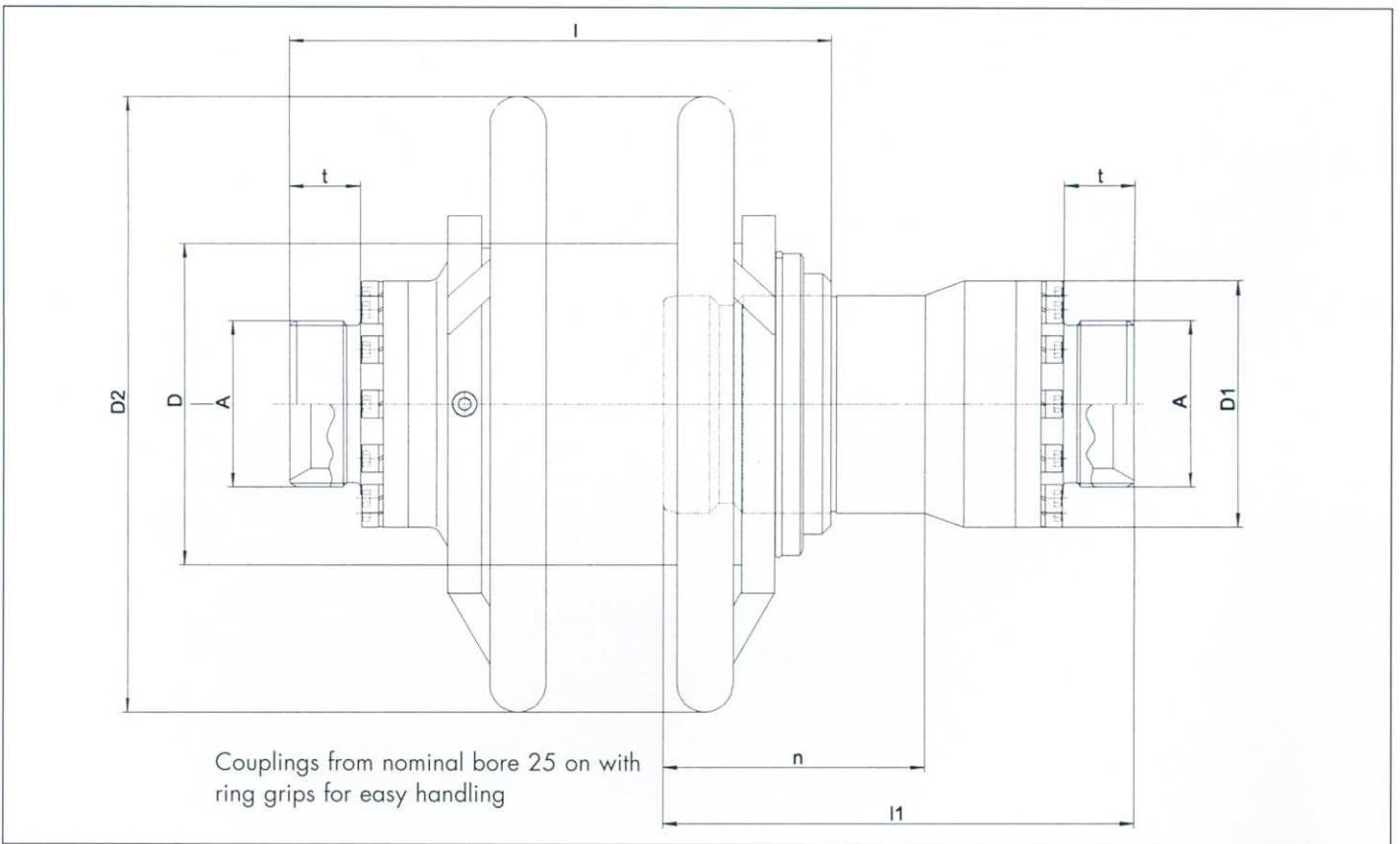
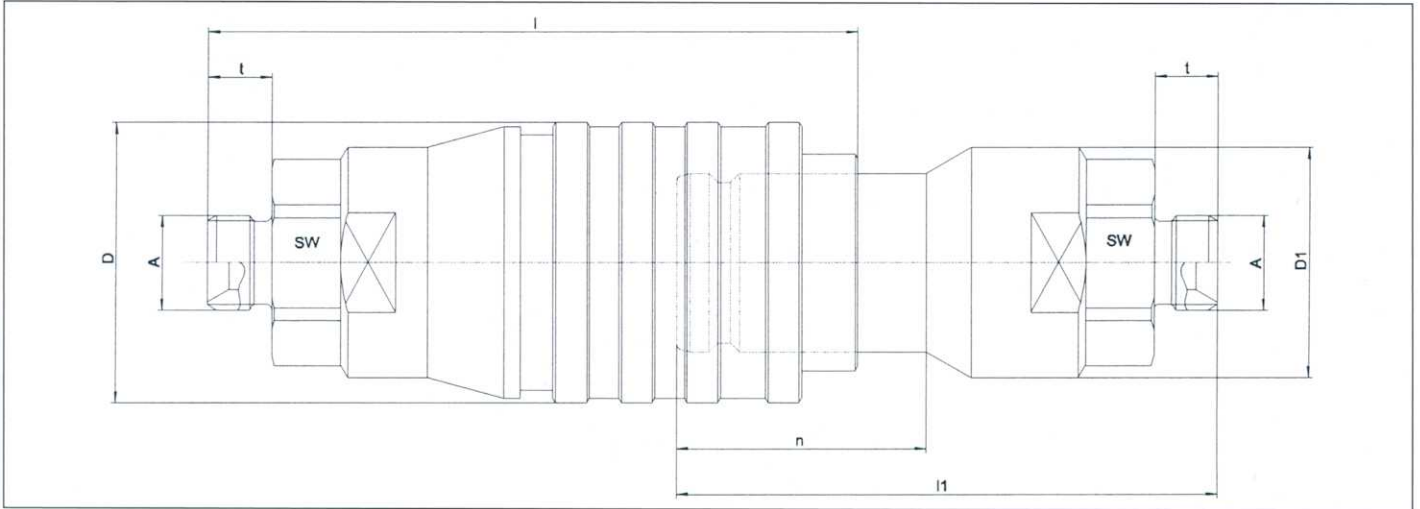
Series LC



Series LC

Our customers require more and more safety, reliability as well as protection of people and environment when using quick and thereby efficient connection of line systems with aggressive and dangerous

media. Here we offer our coupling series LC which has proven itself most satisfactorily in respect of the aforementioned requirements since years.



The LC series offers push to connect couplings with automatic locking and self-sealing valves both sides. A leak- and squirt-free connection is guaranteed by the special design of the valves and inclusion of air is avoided extensively. As the coupling is guiding the adaptor cylindrically and sealing externally already prior to opening of the valves, there is no squirt effect in case of back pressure. Usual flat-face couplings will do just that and squirt medium when held at a minimum angular offset. The valves close automatically during disconnection of

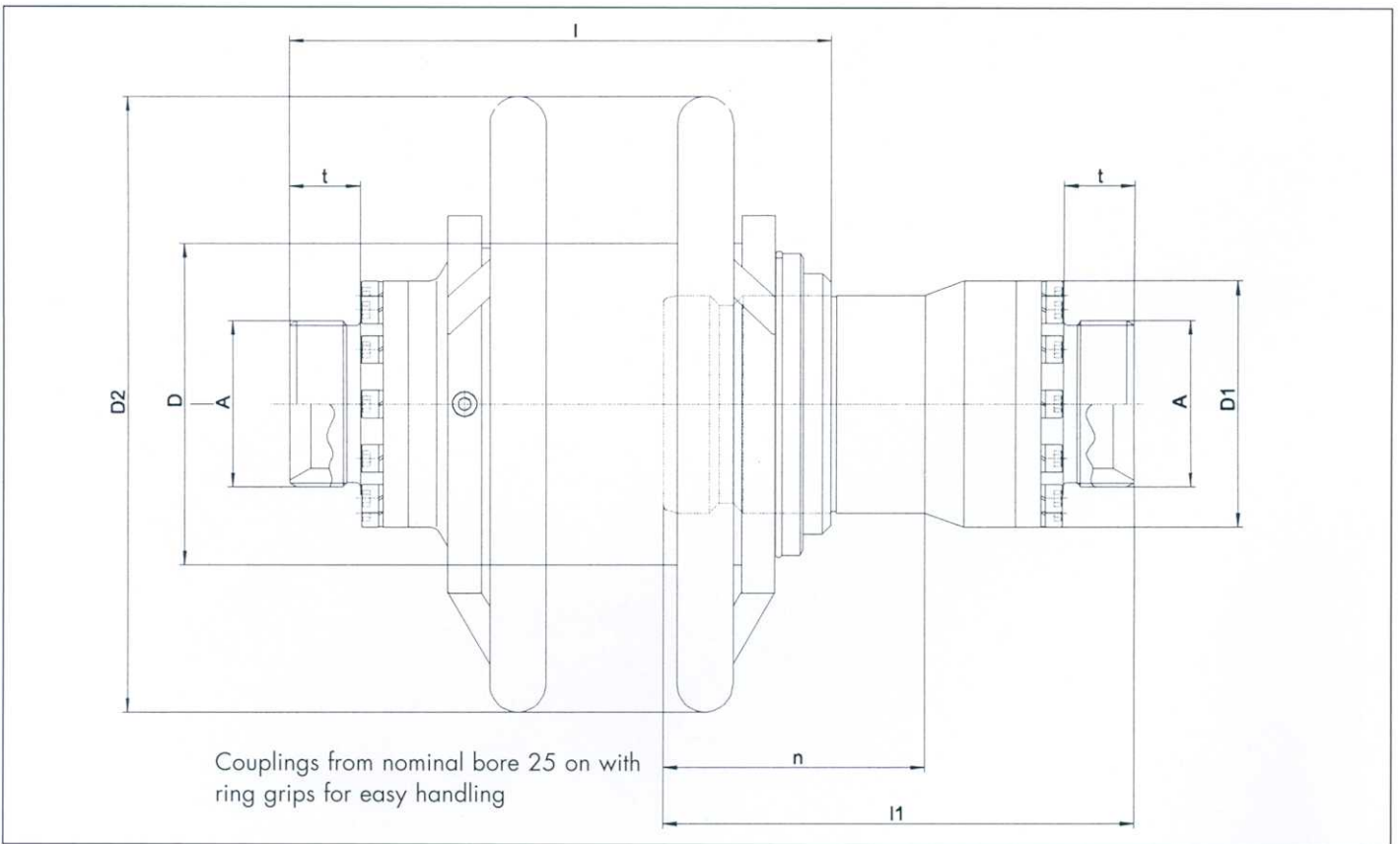
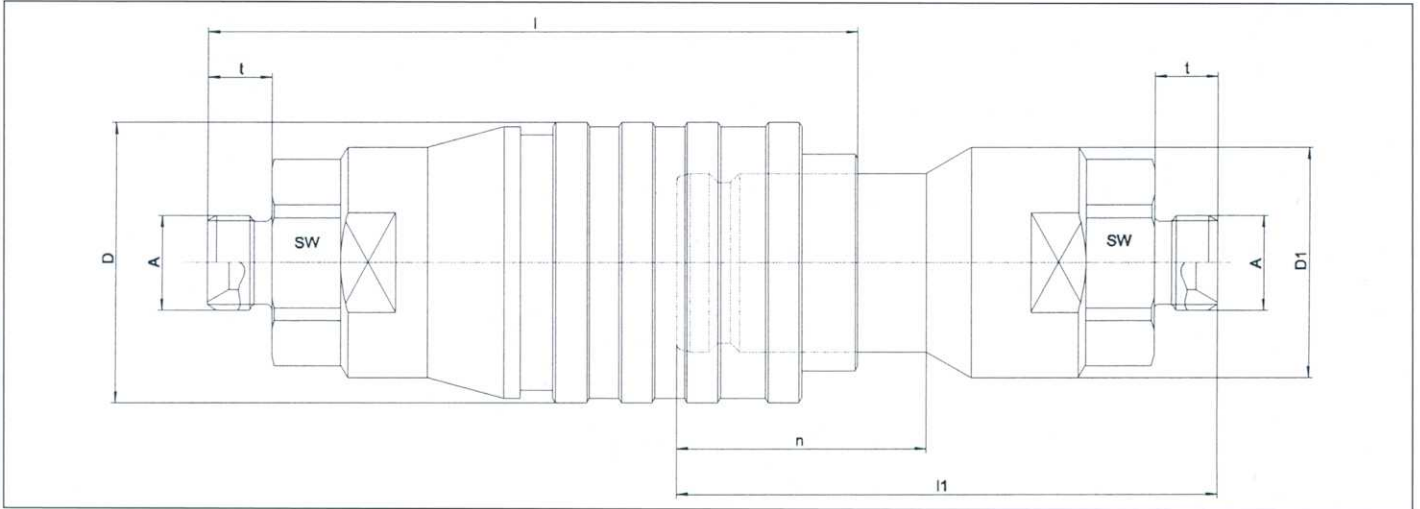
coupling and adaptor before the housing seal leaves the sealing area. Only a wetted surface will remain. Thus undesirable substances will remain in the system and no lost fluid has to be collected, disposed and/or replaced expensively. Couplings of the LC series are „real“ clean break solutions.

Besides the standard BSPP end connections we also offer NPT, UNF, metric or customized terminations on request.

Series LC

Our customers require more and more safety, reliability as well as protection of people and environment when using quick and thereby efficient connection of line systems with aggressive and dangerous

media. Here we offer our coupling series LC which has proven itself most satisfactorily in respect of the aforementioned requirements since years.



The LC series offers push to connect couplings with automatic locking and self-sealing valves both sides. A leak- and squirt-free connection is guaranteed by the special design of the valves and inclusion of air is avoided extensively. As the coupling is guiding the adaptor cylindrically and sealing externally already prior to opening of the valves, there is no squirt effect in case of back pressure. Usual flat-face couplings will do just that and squirt medium when held at a minimum angular offset. The valves close automatically during disconnection of

coupling and adaptor before the housing seal leaves the sealing area. Only a wetted surface will remain. Thus undesirable substances will remain in the system and no lost fluid has to be collected, disposed and/or replaced expensively. Couplings of the LC series are „real“ clean break solutions.

Besides the standard BSPP end connections we also offer NPT, UNF, metric or customized terminations on request.

We supply customized solutions for every application, in every market sector.



WALTHER-PRÄZISION 02/2004 • Subject to alterations • PB

... and more than 300,000 further variants for all applications!

Carl Kurt Walther GmbH & Co. KG

Westfalenstraße 2

P.O. Box 420444

Tel. +49 (0) 21 29 / 5 67-0

Fax +49 (0) 21 29 / 5 67-450

D-42781 Haan

D-42404 Haan

E-Mail: info@walther-praezision.de

Internet: www.walther-praezision.de


**walther
präzision**
Quick Coupling Systems