

**Compressed Air  
Safety  
Couplings**

**Large Nominal Sizes**

**WALPRESTA-  
SERIES**



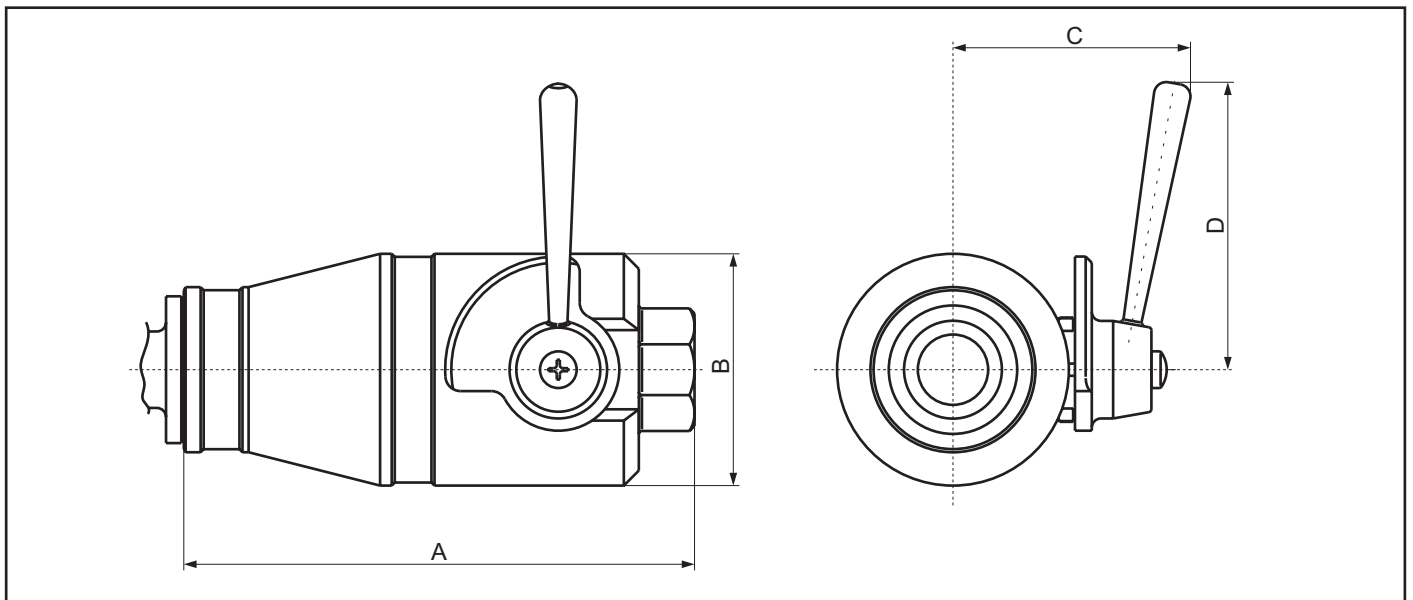
## Compressed Air Safety Couplings WALPRESTA LS-012, LS-023 and LS-038

### Description:

The safety series LS is the first coupling series to work pressure controlled. It denies by a positive lock false operation. The dangerous whip effect is abandoned. Complete disconnection is to possible after pressure was safely vented to less than 1,5 bar (22 psi).

### Features:

- free passage when valves are opened
- extremely high flow rates with smallest flow resistance
- separation of the connection procedure from valve opening procedure.  
As a consequence largebore couplings can be easily connected as the locking area is not pressurized.
- automatic lock (one hand operation)



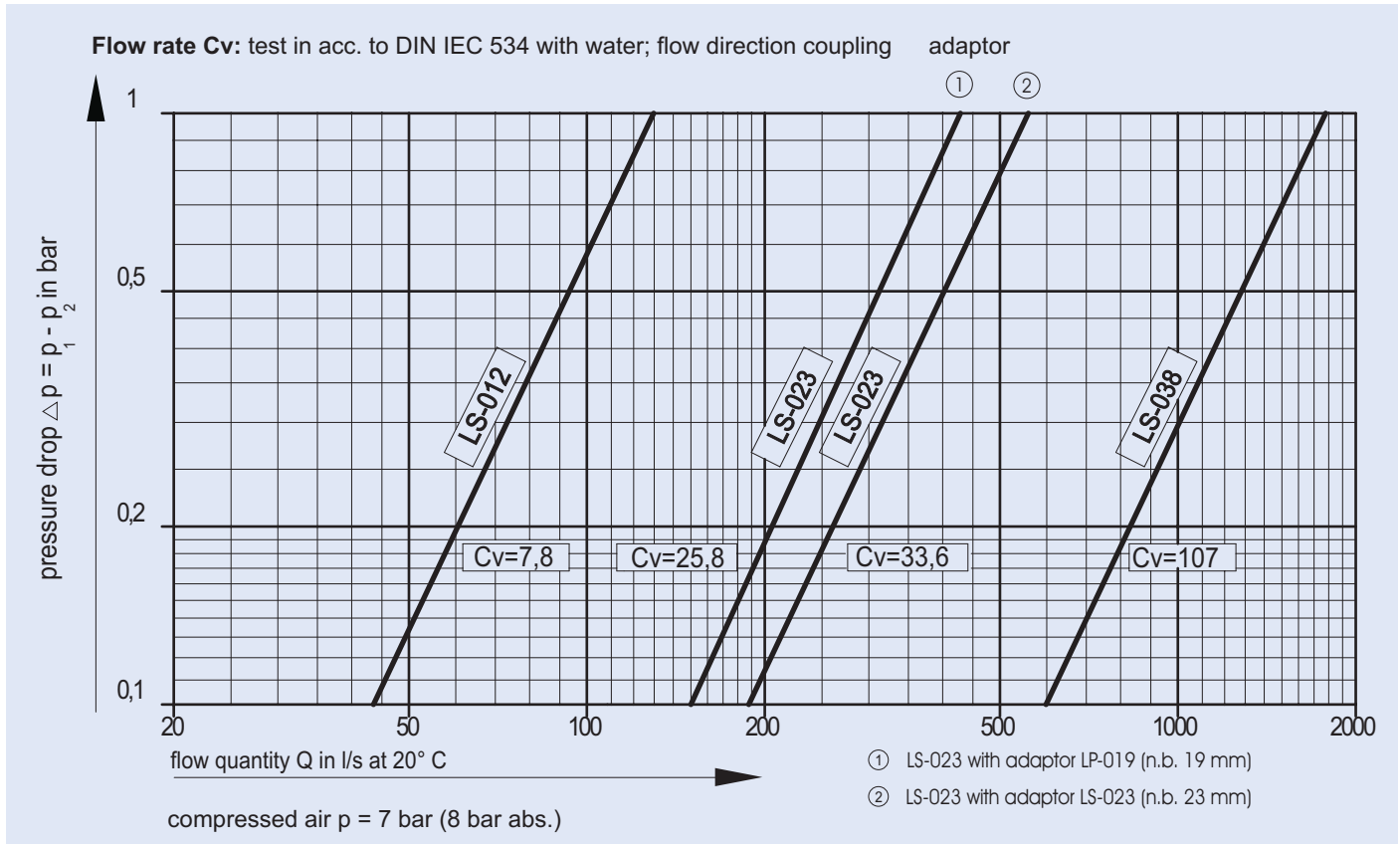
Coupling type	Main Dimensions				End connection (ISO 228-1)	Weight (kg)
	A	B	C	D		
LS-012	137 mm	53 mm	63 mm	94 mm	G 1/2"	ca. 1,0
LS-023	169 mm	76 mm	78 mm	94 mm	G 1"	ca. 2,2
LS-038	230 mm	105 mm	105 mm	119 mm	G 1 1/2"	ca. 5,9

	compatible with adaptor contour			
	LP-012	LP-019	LS-023	LS-038
LS-012	*			
LS-023		*	*	
LS-038				*

further adaptor contours on request

# Compressed Air Safety Couplings WALPRESTA LS-012, LS-023 and LS-038

## Performance Diagram for WALPRESTA LS-012, LS-023, LS-038



### Materials:

Coupling housing: brass nickel plated  
 Handle mechanism: brass nickel plated  
 Locing sleeve: aluminium hardcoated  
 Seals: NBR and PTFE

### Technical Data:

Working pressure : 16 bar  
 Nominal bores: DN 12, DN 23 und DN 38  
 Working-temperature:  $>0^{\circ} \text{C} - 80^{\circ} \text{C}$

### Max. flow with nominal ressure:

<b>LS-012:</b>	at p 0,3 bar:	Qmax = 110 l/s	395 m <sup>3</sup> /h
	at p 0,6 bar:	Qmax = 155 l/s	550 m <sup>3</sup> /h
<b>LS-023:</b> (with adaptor LP-019)	at p 0,3 bar:	Qmax = 360 l/s	1300 m <sup>3</sup> /h
	at p 0,6 bar:	Qmax = 510 l/s	1830 m <sup>3</sup> /h
<b>LS-023:</b> (with adaptor LS-023)	at p 0,3 bar:	Qmax = 470 l/s	1700 m <sup>3</sup> /h
	at p 0,6 bar:	Qmax = 660 l/s	2380 m <sup>3</sup> /h
<b>LS-038:</b>	at p 0,3 bar:	Qmax = 1500 l/s	5400 m <sup>3</sup> /h
	at p 0,6 bar:	Qmax = 2110 l/s	7600 m <sup>3</sup> /h

## For each application the best suitable coupling

WALPRESTA LS-006, n.b. 7 mm, compressed air safety coupling for supply side



WALPRESTA LT-006, n.b. 7 mm, compressed air coupling for tool side

LP series, n.b. 2,5 up to 50 mm, all-purpose low pressure coupling



Compressed air spiral hoses (made of polyurethane)  
hose lengths from 4,5 up to 10 m, from 6,5 up to 11 mm (inner diameter)

**... and more than 30.000 other variations for all applications!**

