

**Compressed  
Air Coupling  
LT-006**

**WALPRESTA-  
SERIES**



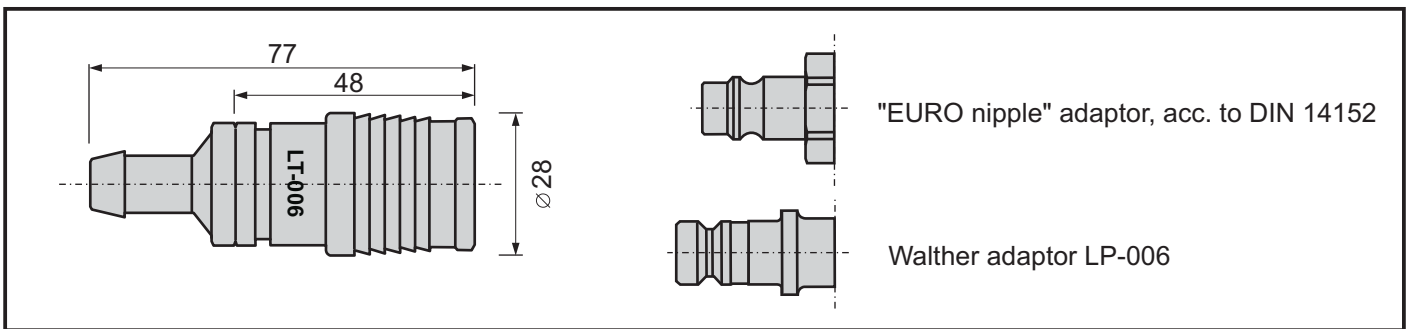
# Compressed Air Coupling WALPRESTA LT-006

## Description:

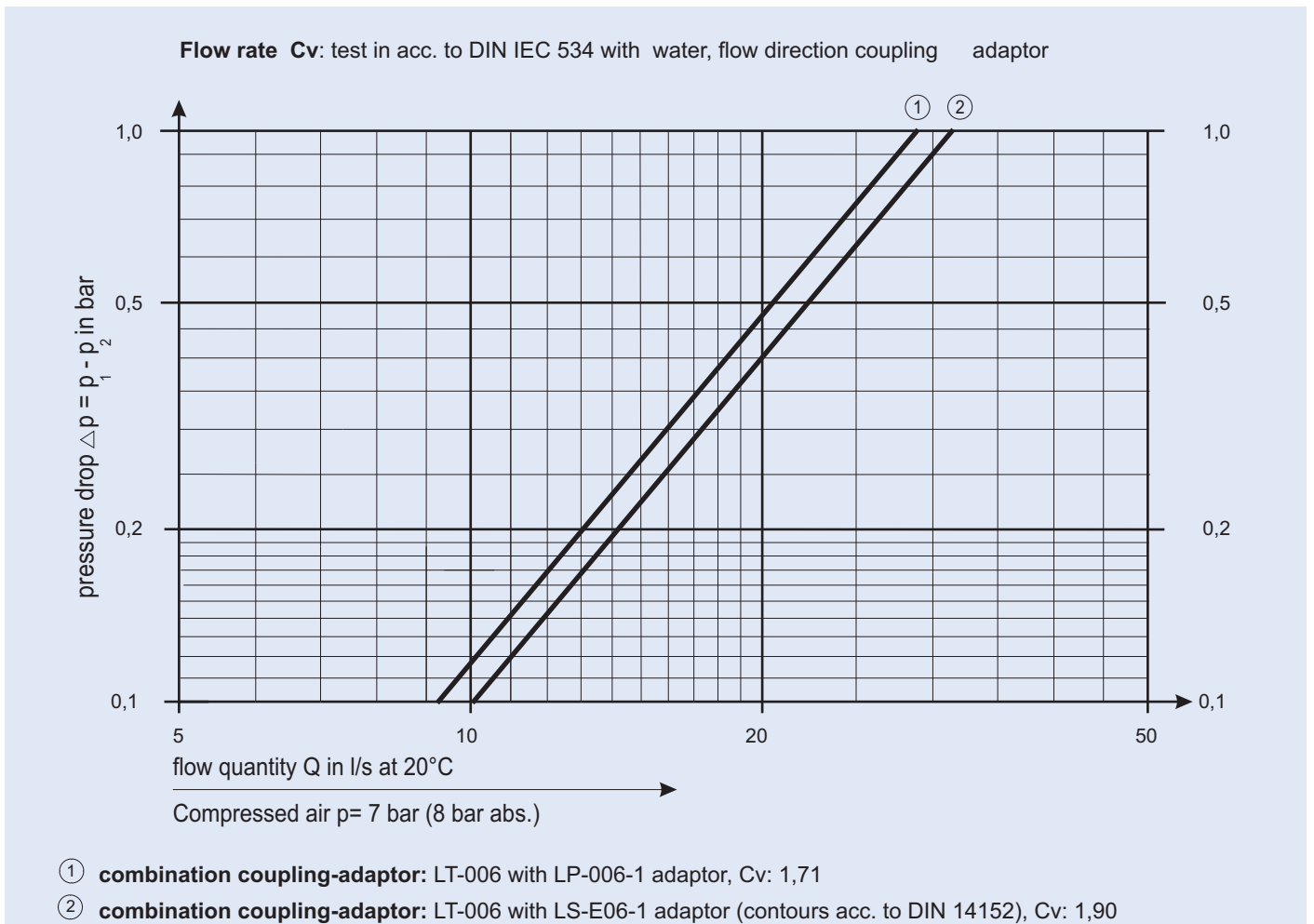
Compressed air coupling for use at air consumer (pneum. tools, air guns)

## Features:

- High flow rate
- Light weighted
- Easy to operate
- Connectable with different adaptor profiles without change of components

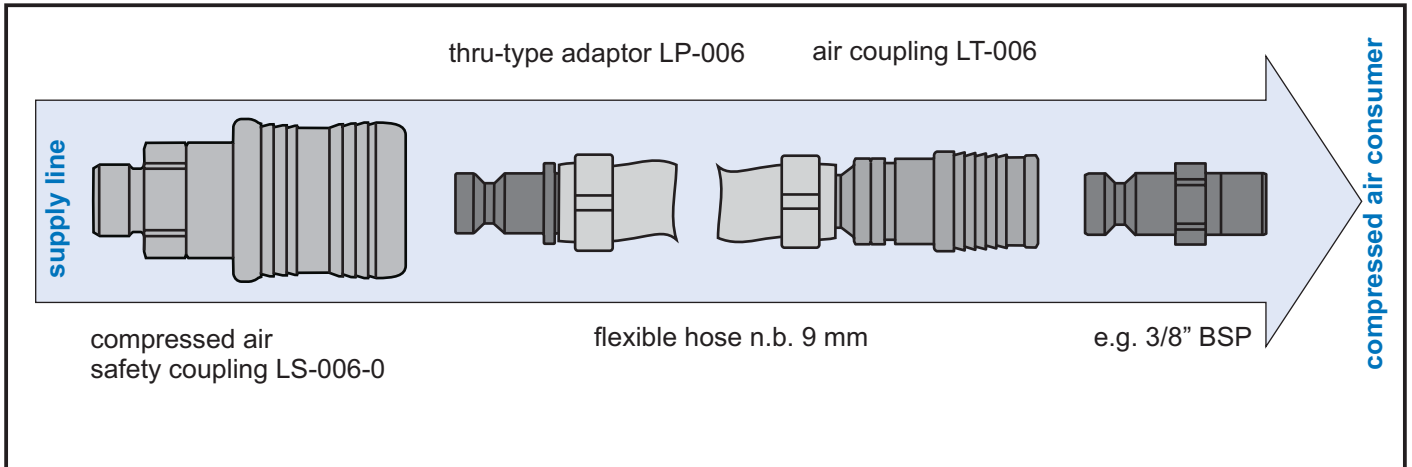


## Performance diagram for WALPRESTA LT-006-0



# Compressed Air Coupling WALPRESTA LT-006

## Compressed air line system



When designing the above mentioned flexible air system it should be considered to use single components with high flow rate coefficients. The use of non sufficiently dimensioned components leads to a loss of air quantity at consumer side, thus resulting in less power and increased working time.

### Version:

Coupling housing:	aluminium hardcoated
Locking balls:	stainless steel
Locking sleeve:	impact resistant plastic
End connection:	aluminium anodized
Seals:	Perbunan (NBR)
End connections:	female thread 1/4" BSP and 3/8" BSP; hose tailpiece 8/9 mm and 10/11 mm

### Technical data:

Working pressure:	0 – 12 bar / 175 PSI
Nominal bore:	DN 7
Flow rate Cv:	depending on adaptor profile between 1,71 and 1,9
Weight:	50 – 65 g, depending on end connection size
Working temperature:	0° – 80° C

## For each application the best suitable coupling

Walpresta LS-006, n.b. 7 mm, compressed air safety coupling for air supply side



Walpresta LS-012 up to LS-038, large nominal bore (12-38 mm), compressed air safety coupling for air supply side



LP series, n.b. 2,5 - 50 mm, all-purpose low pressure coupling



compressed air spiral hoses (made of polyurethane), hose length from 4,5 m up to 10 m, n.b. from 6,5 up to 11 mm (inner diameter)

## ... and more than 30.000 other variations for all applications!



WALTHER-PRÄZISION - WKa rev. 07/2003 - subject to alterations

## Carl Kurt Walther GmbH & Co. KG

Westfalenstraße 2  
Postfach 420444  
Tel. +49 (0) 21 29 / 5 67-0  
Fax +49 (0) 21 29 / 5 67-450

D-42781 Haan  
D-42404 Haan  
E-Mail: [info@walther-praezision.de](mailto:info@walther-praezision.de)  
Internet: [www.walther-praezision.de](http://www.walther-praezision.de)

  
**walther  
präzision**  
Quick Coupling Systems